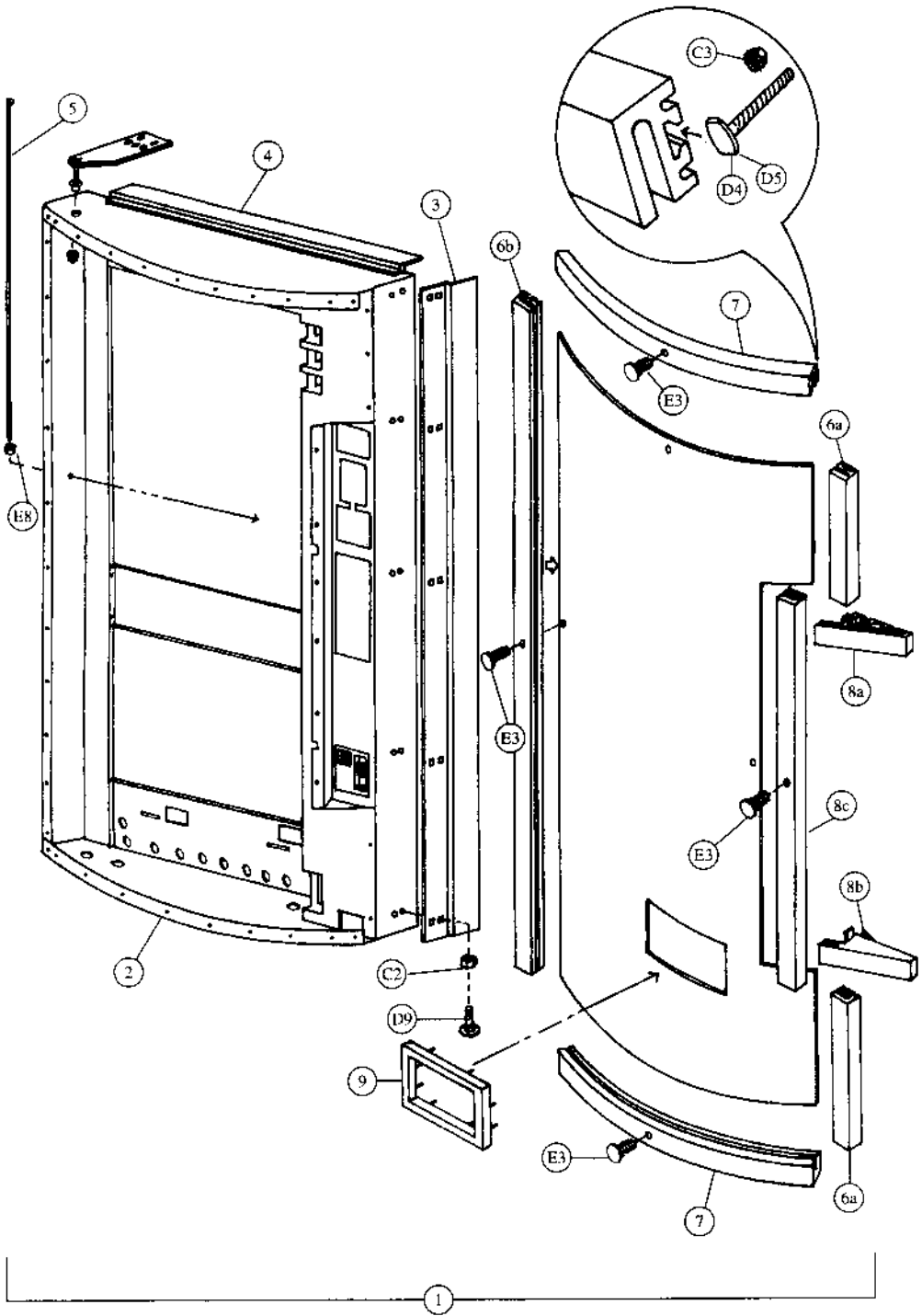


## **Coke (Landscape) DNCB 368CC**

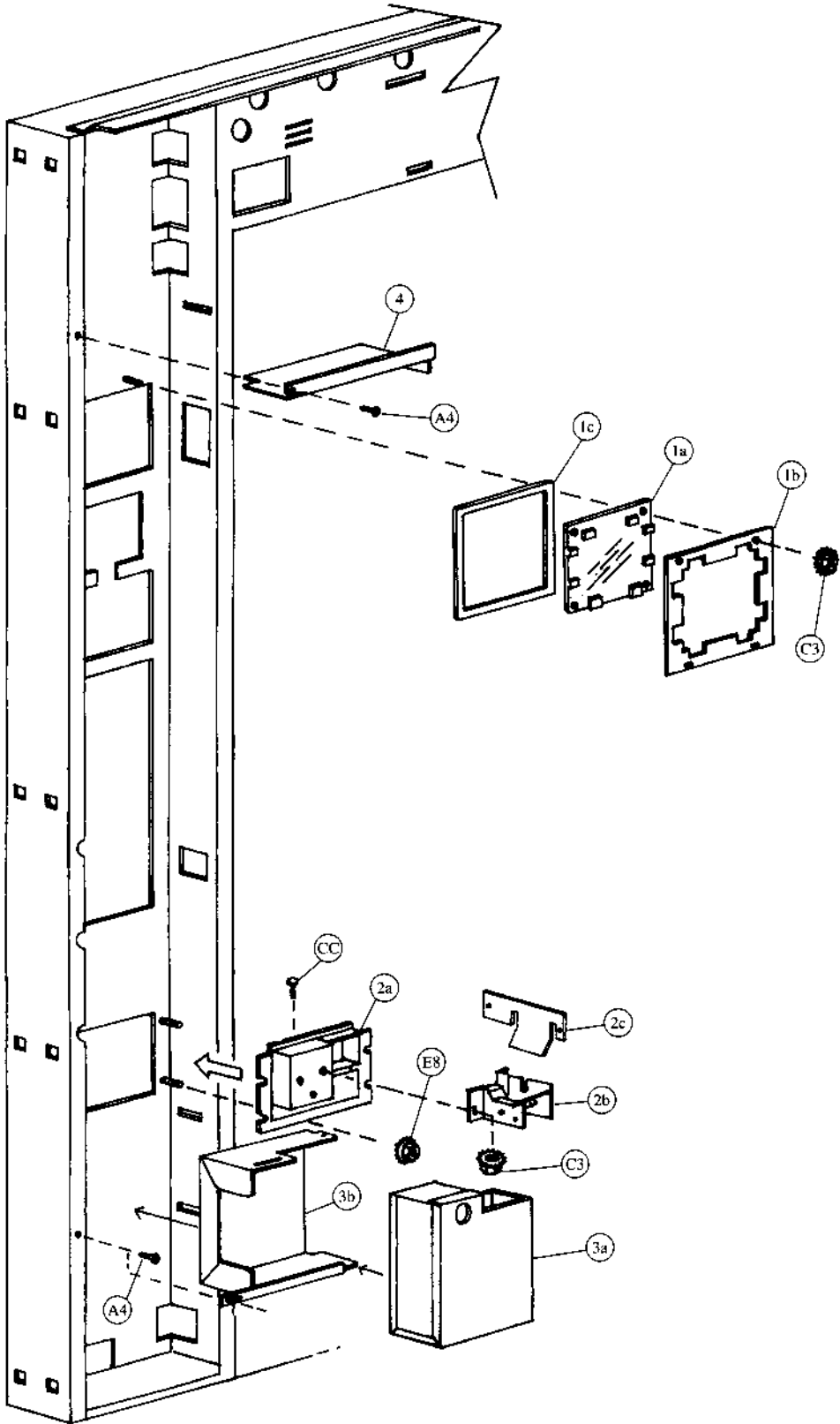
|  |   |
|--|---|
| Dimensions                                 | 72" H x 37 1/6" W x 30 1/2" D<br>(1829mm H x 940mm W x 775mm D) |
| Dimensions Less Door                       | 72" H x 37 1/6" W x 27 1/2" D<br>(1829mm H x 940mm W x 698mm D) |
| Approximate Weight                         | 688 lbs. (312kg)  |
| Selections/Columns                         | 7/8 or 8/8  |
| Total 12 oz. (330ml) Cans<br>Capacity/Vend | 376/360   |
| Column Capacity<br>12 oz. (330ml) Cans     | 4 Single Columns - 32 Each<br>4 Double Columns - 62 Each        |

# Main Door - Exterior - Coke (Landscape)



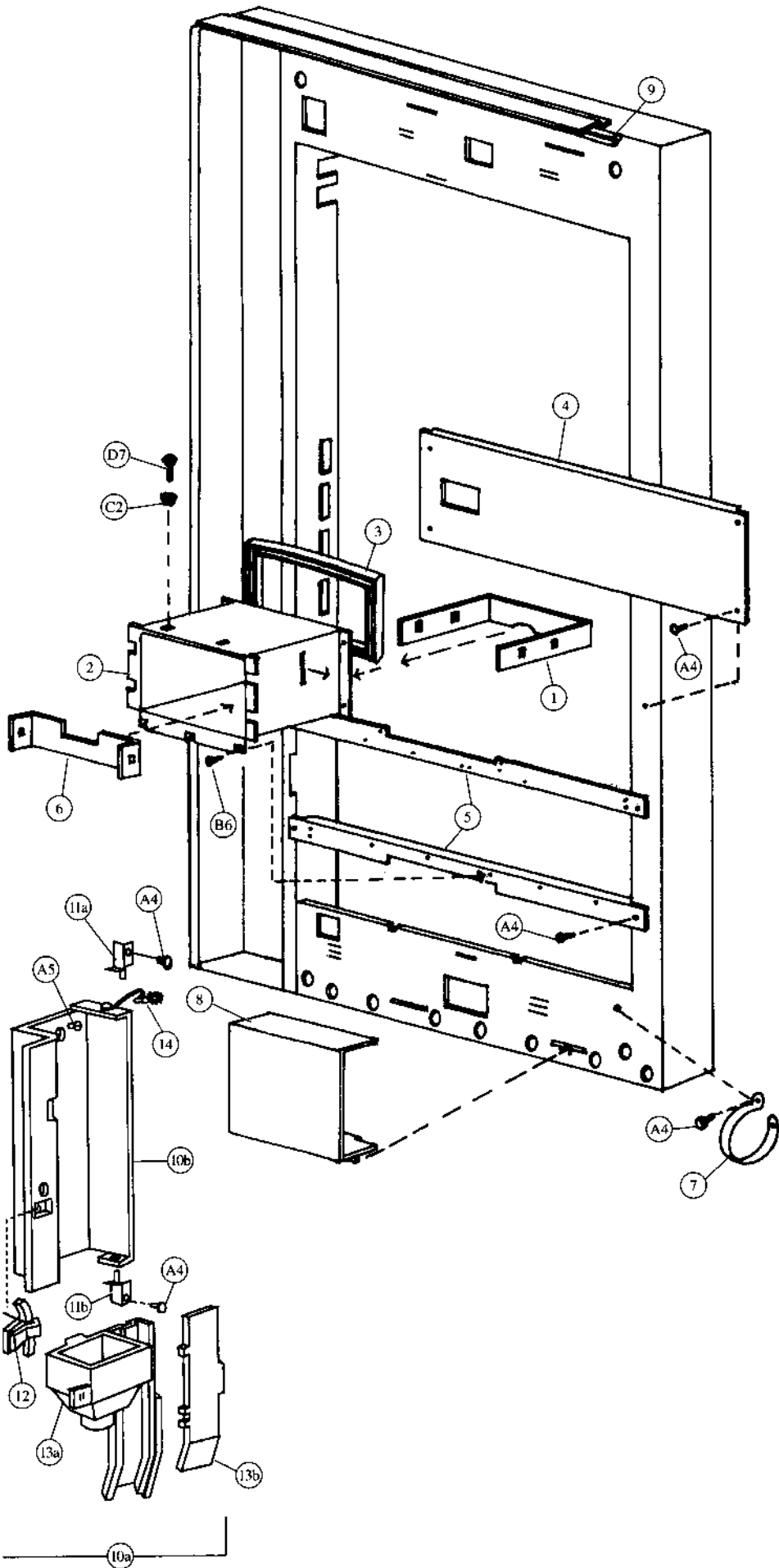


# Main Door - Interior (A) - Coke (Landscape)



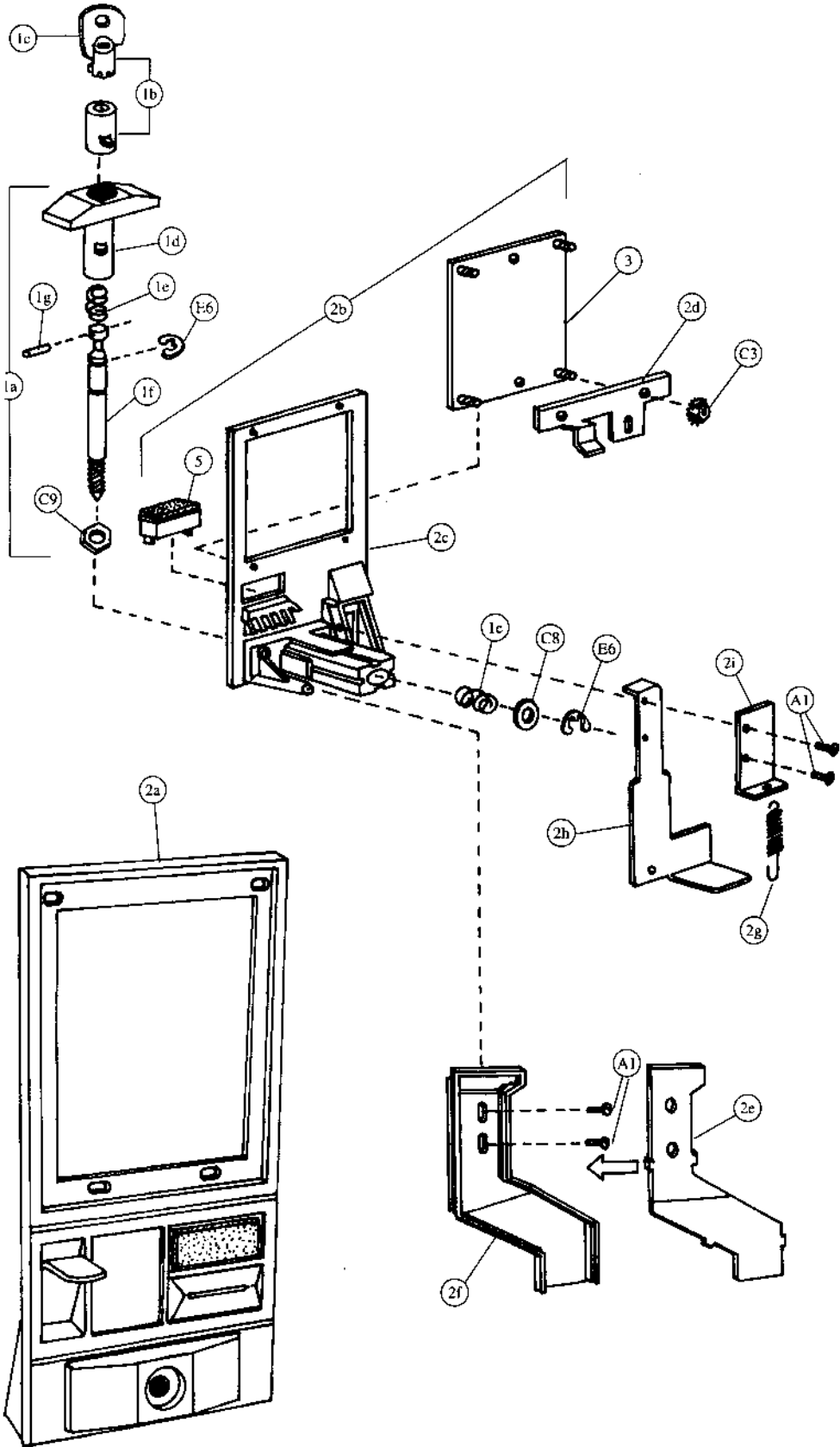


# Main Door - Interior (B) - Coke (Landscape)





# Pull-Out Handle & Coin Insert - Coke (Landscape)



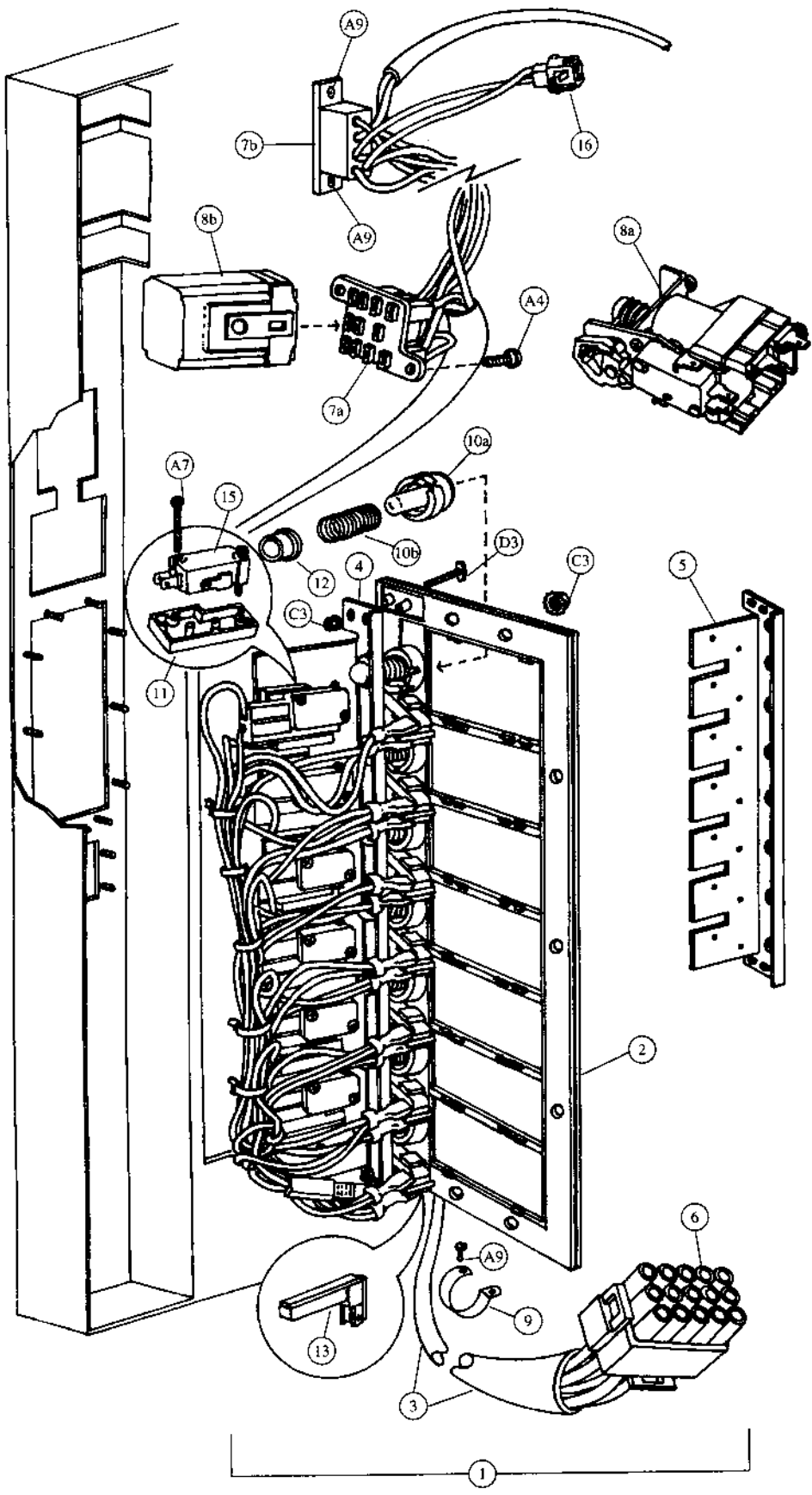


**Pull-Out Handle & Coin Insert - Coke (Landscape)**

| Item           | Part Number                           | Part Name And Description                  |
|----------------|---------------------------------------|--|
| 1a             | 801,503,040.01                        | T Handle Assembly                          |
| 1b             | Specify key number                    | Lock with Two Keys                         |
| 1c             | Specify key number                    | Key Only                                   |
| 1d             | 801,505,730.01                        | Handle Only                                |
| 1e             | 901,503,050.01                        | Spring                                     |
| 1f             | 4255-6-44W                            | Stud                                       |
| 1g             | 901,503,090.11                        | Cross Pin                                  |
| 2a             | See list below                        | Complete Coin Insert Kit with T Handle     |
|                | 491,010,800.04                        | Domestic (USA and Canada)                  |
|                | Not applicable                        | Export (All others except listed below)    |
|                | Not applicable                        | Mexico                                     |
| 2b             | See list below                        | Complete Coin Insert Kit without T Handle  |
|                | 491,050,500.03                        | Domestic (USA and Canada)                  |
|                | 491,150,500.03                        | Export (All others except listed below)    |
|                | 480,350,500.03                        | Mexico                                     |
| 2c             | See list below                        | Coin Insert Only                           |
|                | 801,201,160.41                        | Domestic (USA and Canada)                  |
|                | 801,201,170.21                        | Export (All others except listed below)    |
|                | 801,201,280.11                        | Mexico                                     |
| 2d             | 801,201,270.21                        | Argentina - Token                          |
|                | 453,050,130.83                        | Coin Insert Retainer                       |
| 2e             | 801,805,800.31                        | Coin Chute Cover                           |
| 2f             | 801,805,790.61                        | Coin Chute                                 |
| 2g             | 901,700,630.11                        | Spring Extension                           |
| 2h             | 453,050,800.03                        | Coin Return Plunger Assembly               |
| 2i             | 432,050,570.33                        | Plunger Bracket                            |
| 3              | 432,050,210.23                        | Validator Plate                            |
| 4              | See list below                        | Instruction Label (not shown)              |
|                | 803,822,940.01                        | English                                    |
|                | 903,832,680.01                        | Irish                                      |
|                | 803,825,760.01                        | Spanish                                    |
|                | 803,825,410.01                        | French                                     |
|                | 803,825,750.01                        | Italian                                    |
|                | 803,825,740.01                        | German                                     |
| 5              | See list below                        | Correct Change Lamp                        |
|                | 904,700,180.31                        | English "Use Correct Change"               |
|                | 804,700,500.11                        | English, IEC Standard "Use Correct Change" |
|                | 804,700,440.31                        | Spanish "Importe Exacto"                   |
|                | 804,700,450.21                        | French "Faites L' Appoint"                 |
|                | 804,700,400.21                        | Italian "Usare Monete Contate"             |
|                | 804,700,470.21                        | Turkish "Lutfen Para Atiniz"               |
|                | 804,700,480.21                        | German "Abgezahletes Geld Verwendeb"       |
| 904,700,490.21 | Portuguese "Introduza Quantia Exacta" |  |
| 6              | 801,806,080.11                        | Drip Chute (not shown)                     |
|                |                                       |  |
|                |                                       |  |
|                |                                       |  |
|                |                                       |  |

|    |                |                        |     |
|----|----------------|------------------------|-----|
| E6 | 901,503,070.01 | E Ring                 | (2) |
| C8 | 901,503,060.01 | Flat Washer            |     |
| C9 | 901,503,080.01 | Hex Washer             |     |
| A1 | 900,301,700.01 | Sems Screw #6-32 x 3/8 | (4) |
| C3 | 900,800,500.01 | Keps Nut #8-32         | (4) |

# Select Panel - Coke (Landscape)

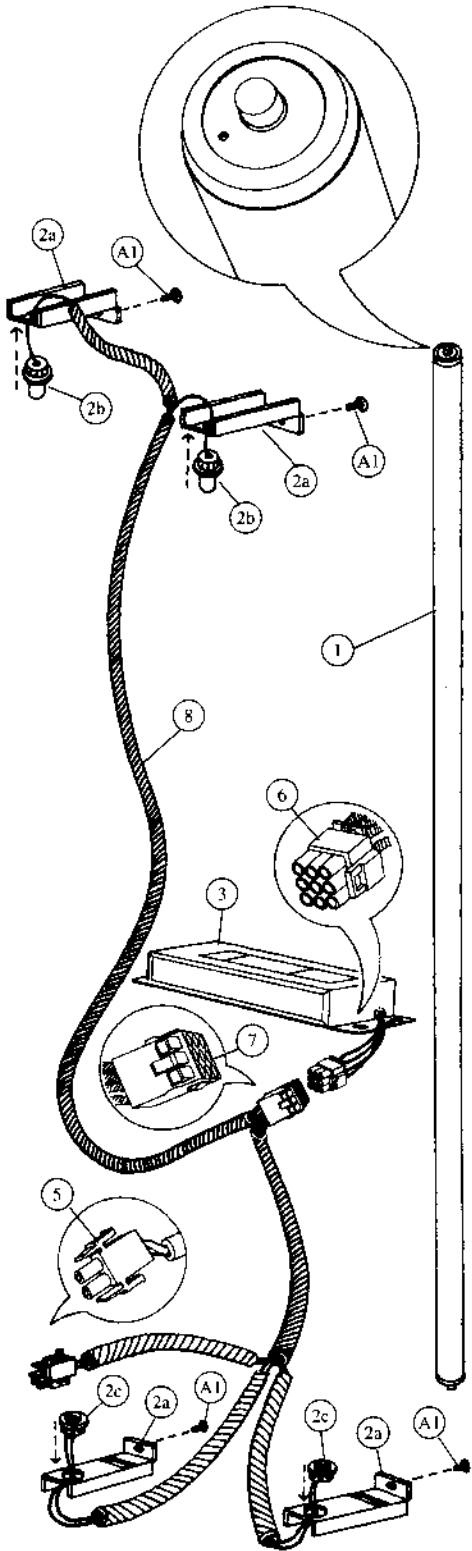


Select Panel - Coke (Landscape)

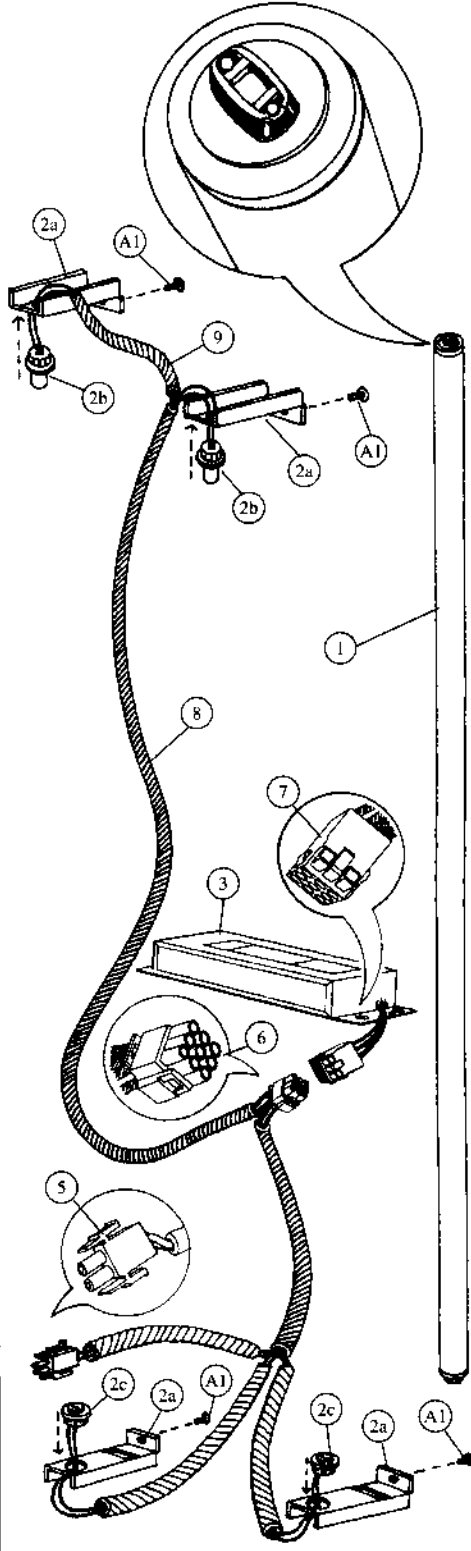
| Item | Part Number     | Part Name And Description                         |
|------|-----------------|---|
| 1    | 491,050,400.03  | 7 Select, Select Panel Assembly (specify harness) |
|      | 444,050,400.03  | 8 Select, Select Panel Assembly (specify harness) |
| 2    | 801,805,740.01  | 7 Select, Select Panel                            |
|      | 801,805,780.01  | 8 Select, Select Panel                            |
| 3a   | See list below  | 7 Select Door Harness                             |
|      | 804,903,670.41  | Single Price & Single Price - IEC Standard        |
|      | 804,903,950.21  | Two Price & Two Price - IEC Standard              |
|      | 804,904,110.41  | Four Price & Four Price - IEC Standard            |
| 3b   | See list below  | 8 Select Door Harness                             |
|      | 804,903,680.41  | Single Price & Single Price - IEC Standard        |
|      | 804,903,960.41  | Two Price & Two Price - IEC Standard              |
|      | 804,904,130.41  | Four Price & Four Price - IEC Standard            |
| 4    | 491,050,700.03  | 7 Select, Select Switch Bar Assembly              |
|      | 444,050,700.03  | 8 Select, Select Switch Bar Assembly              |
| 5    | 432,050,530.63  | 7 Select, Select Switch Bar                       |
|      | 444,050,030.63  | 8 Select, Select Switch Bar                       |
| 6    | 904,600,830.01  | 15-Way Plug                                       |
| 7a   | 904,600,620.01  | Socket, Relay                                     |
| 7b   | 904,600,600.01  | Socket, Coin Changer                              |
| 8a   | 804,200,190.01  | Sequence Relay (7 Select only)                    |
| 8b   | 804,200,170.01  | Vend Relay (single price only)                    |
| 9    | 901,901,890.01  | 1" Clamp  |
| 10a  | 801,805,710.21  | Push Button                                       |
| 10b  | 901,700,720.11  | Push Button Spring                                |
| 11   | 801,805,920.21  | Switch Insulator                                  |
| 12   | 902,000,580.01  | Nylet   |
| 13   | 804,700,210.01  | Sold Out Lamp                                     |
| 14   | Indicate flavor | Flavor Cards (not shown)                          |
| 15   | 804,100,710.01  | Select Switches (single Micro)                    |
| 16   | 904,600,700.01  | 2-Way Cap   |
|      |                 |   |
|      |                 |   |

|    |                |  |
|----|----------------|--|
| A4 | 900,301,500.01 | Screw, Phil Pan (without washer) #8 - 18 x 1/2 (2) |
| A9 | 900,301,560.01 | Sems Screw #8 - 32 x 3/8 (7)                       |
| A7 | 900,300,470.01 | Screw, Phil Pan #4 x 3/4 (14)                      |
| D3 | 900,400,430.01 | T-Bolt #8 - 32 x 1 (4)                             |
| C3 | 900,800,500.01 | Keps Nut #8 - 32 (14)                              |

# Lighting - Coke (Landscape)



Slimline



High-Output

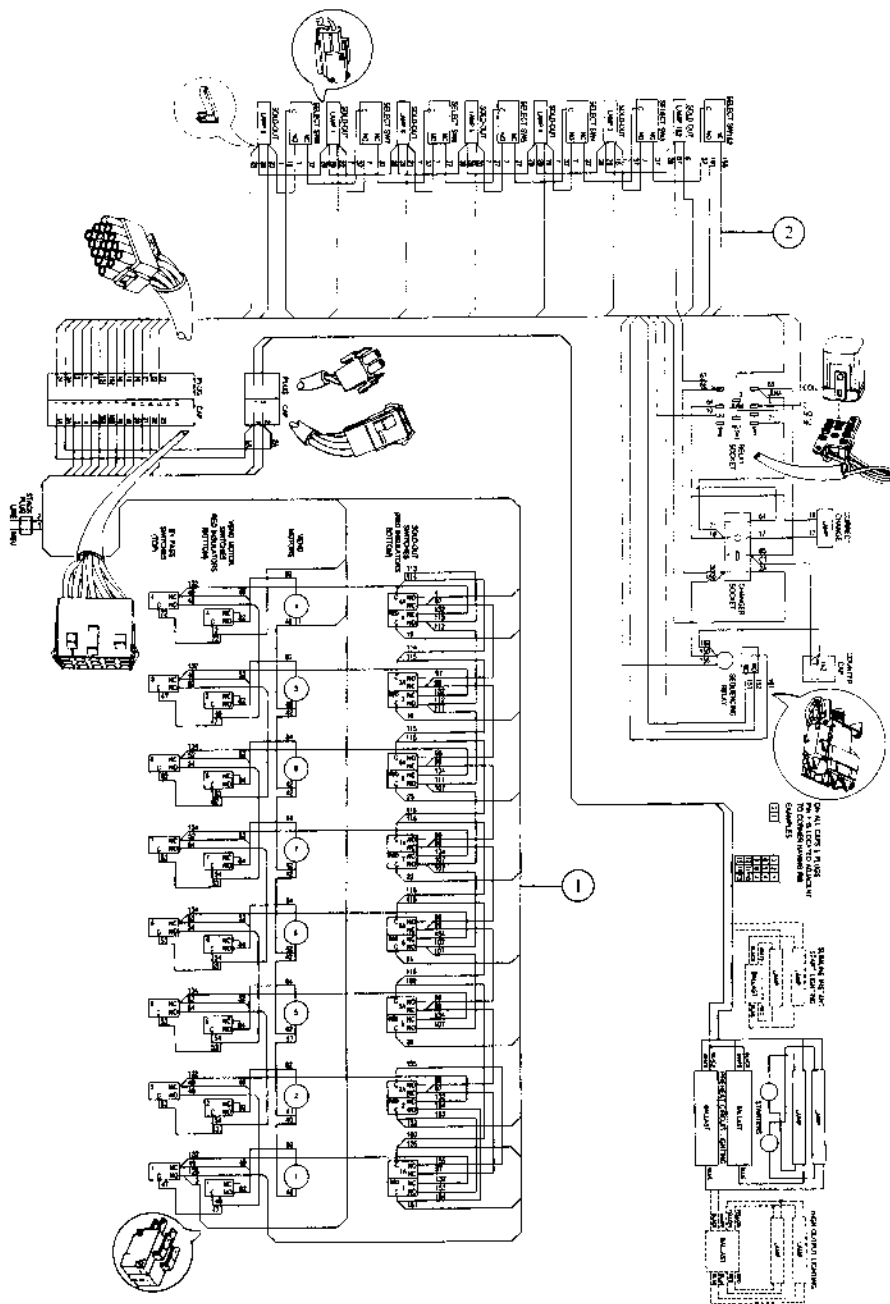
**Lighting - Coke (Landscape)**

| Item                 | Part Number    | Part Name And Description                          |
|----------------------|----------------|--|
| High-Output Lighting |                |  |
| 1                    | 804,700,370.01 | Fluorescent Bulb - F64T12/D/HO                     |
| 2a                   | 432,050,380.63 | Door Bracket Lamp Socket                           |
| 2b                   | 804,901,990.01 | Top Lamp Holders - 523                             |
| 2c                   | 804,902,000.01 | Bottom Lamp Holders - 524                          |
| 3                    | 804,400,380.01 | Plug-In Ballast, Advance #VSM/HO                   |
| 4                    | 904,800,520.01 | Connector, Electrical (not shown) (scotchlock 557) |
| 5                    | 904,600,710.01 | 2-Way Plug   |
| 6                    | 904,600,670.01 | 9-Way Plug   |
| 7                    | 904,600,660.01 | 9-Way Cap  |
| 8                    | 804,904,510.21 | Plug-In Ballast Harness, High Output               |
| 9                    | 804,904,920.11 | Lamp Fixture Jumper, High Output                   |
|                      |                |  |
|                      |                |  |
|                      |                |  |
|                      |                |  |
|                      |                |  |
|                      |                |  |
|                      |                |  |

| Slimline Lighting |                |  |
|-------------------|----------------|--|
| 1                 | 804,700,300.01 | Fluorescent Bulb - F64T12/DAYLT                    |
| 2a                | 432,050,380.63 | Door Bracket Lamp Socket                           |
| 2b                | 804,902,020.01 | Top Lamp Holders - 516                             |
| 2c                | 804,902,030.01 | Bottom Lamp Holders - 517                          |
| 3                 | 804,400,370.11 | Plug-In Ballast - Advance Slimline                 |
| 4                 | 904,800,520.01 | Connector, Electrical (not shown) (scotchlock 557) |
| 5                 | 904,600,710.01 | 2-Way Plug   |
| 6                 | 904,600,670.01 | 9-Way Plug   |
| 7                 | 904,600,660.01 | 9-Way Cap  |
| 8                 | 804,904,600.61 | Plug-In Ballast Harness, Slimline                  |
|                   |                |  |
|                   |                |  |
|                   |                |  |
|                   |                |  |
|                   |                |  |
|                   |                |  |
|                   |                |  |

|    |                |                                     |
|----|----------------|-------------------------------------|
| A1 | 900,301,700.01 | Sheet Metal Screw #6 - 32 x 3/8 (4) |
|----|----------------|-------------------------------------|

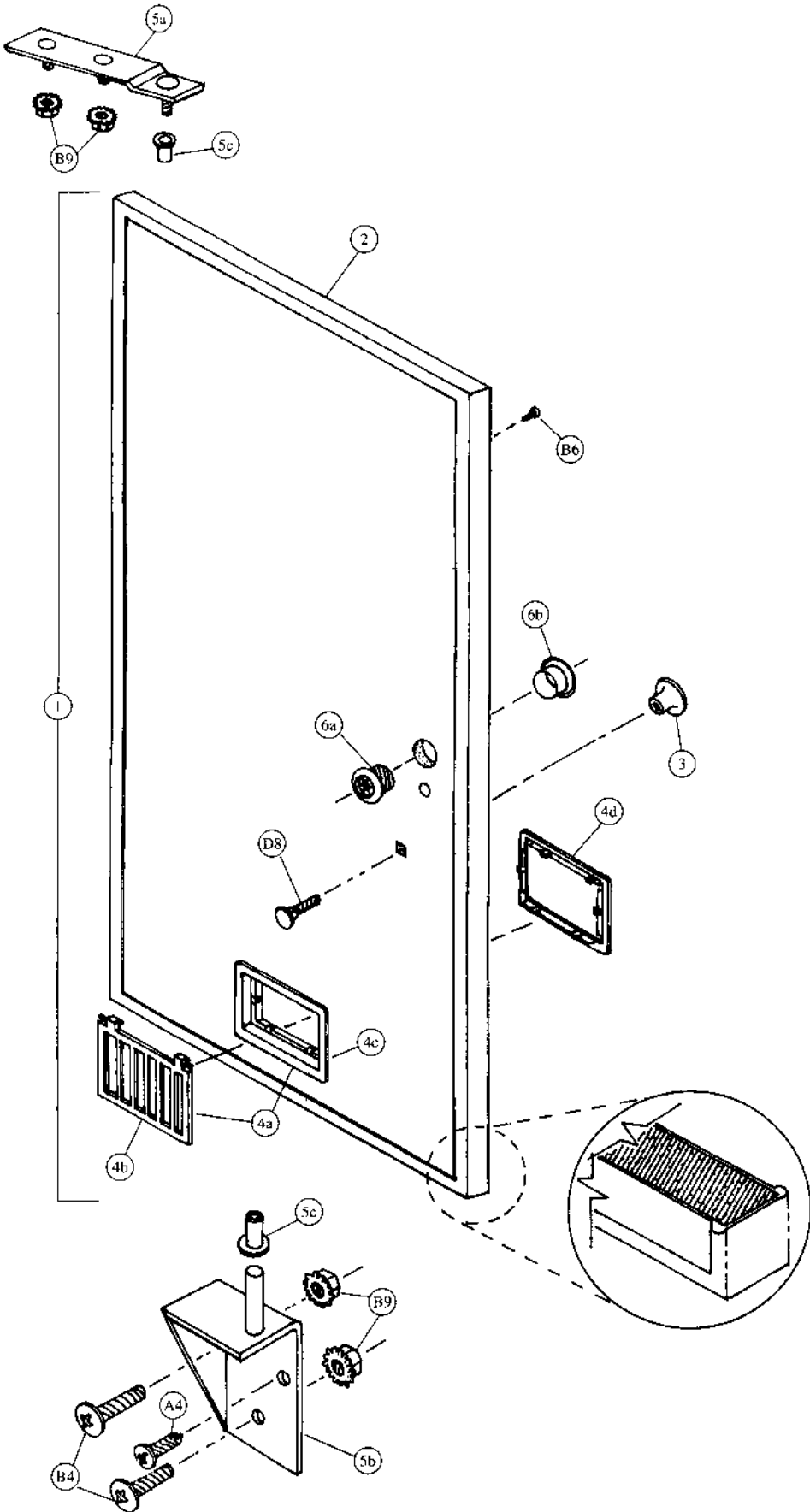
# Wiring Harness - Coke (Landscape)



Sample Diagram  
8 Column Dual Adaptable, Sequencing 1 & 2, Single Price



# Inner Door - Coke (Landscape)



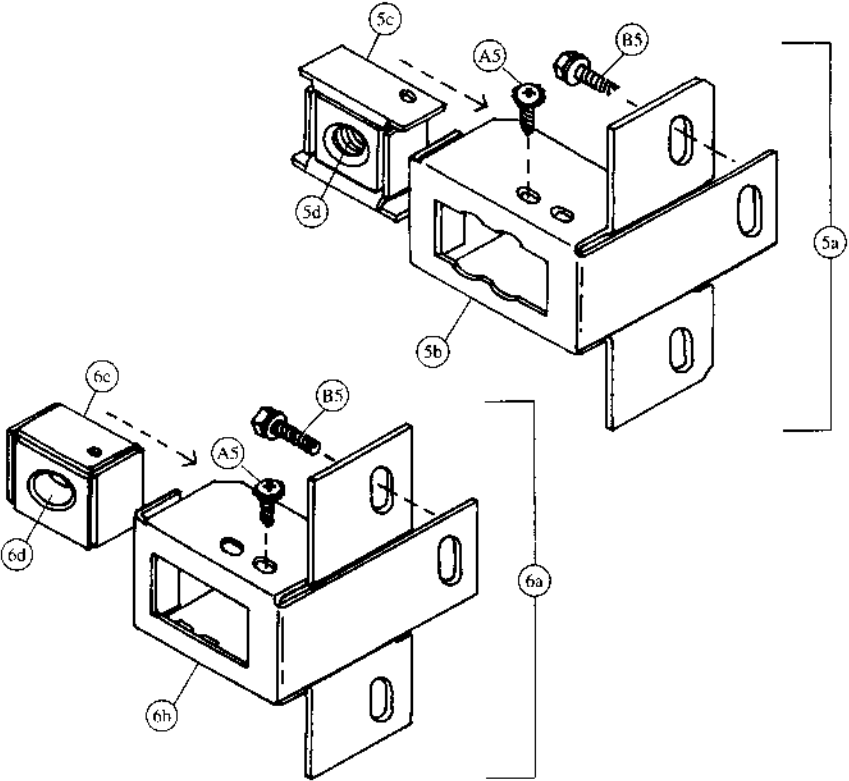
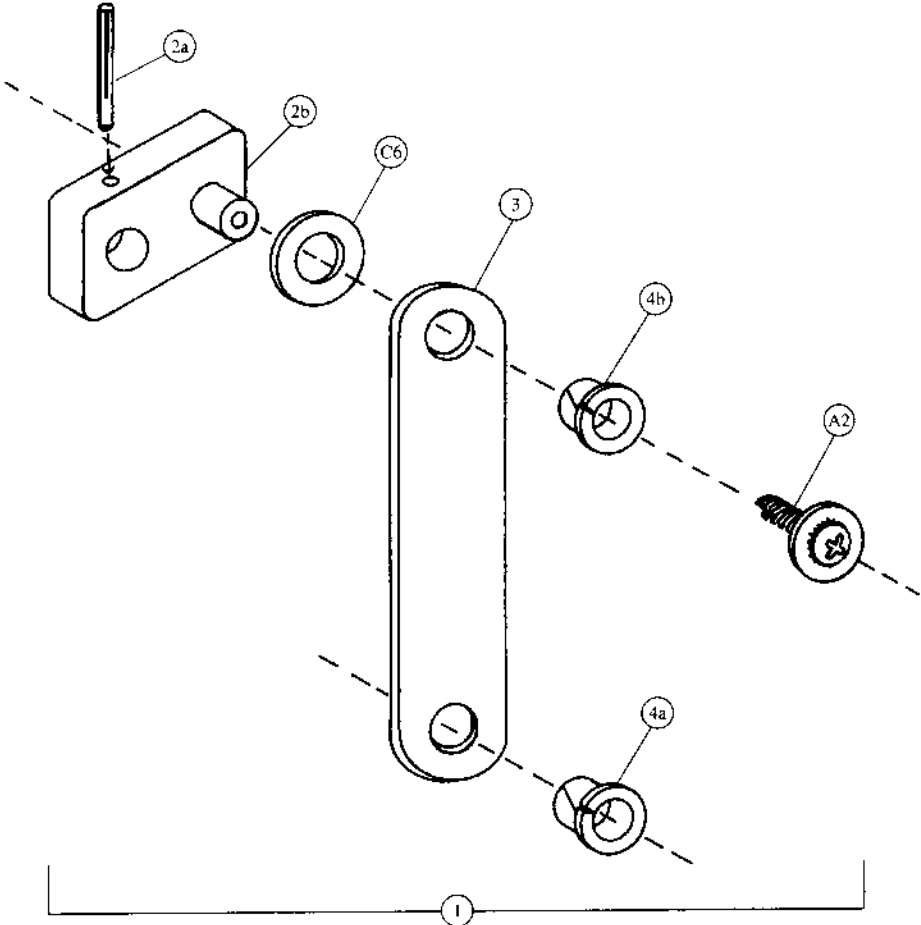


**Inner Door - Coke (Landscape)**

| Item | Part Number    | Part Name And Description                   |
|------|----------------|---|
| 1    | 492,050,200.03 | Inner Door Assembly                         |
| 2    | 801,804,060.01 | Inner Door Gasket                           |
| 3    | 901,501,700.01 | Knob  |
| 4a   | 801,806,920.01 | Discharge Frame Assembly (includes 4b & 4c) |
| 4b   | 801,806,600.01 | Delivery Door                               |
| 4c   | 801,806,550.01 | Discharge Frame                             |
| 4d   | 801,806,560.01 | Retainer Frame Inner Door                   |
| 5a   | 169,053,001.13 | Inner Door Top Hinge, w/a                   |
| 5b   | 169,051,101.63 | Inner Door Bottom Hinge, w/a                |
| 5c   | 901,803,710.01 | Plastic Bearing                             |
| 6a   | 801,806,420.31 | Bushing - Inner Door                        |
| 6b   | 801,806,430.31 | Bushing Retainer - Inner Door               |
| 7    | 804,902,610.01 | 4" Ground Wire (102mm) (not shown)          |
|      |                |   |
|      |                |   |
|      |                |   |
|      |                |   |
|      |                |   |
|      |                |   |
|      |                |   |
|      |                |   |
|      |                |   |
|      |                |   |
|      |                |   |
|      |                |   |
|      |                |   |
|      |                |   |
|      |                |   |
|      |                |   |
|      |                |   |
|      |                |   |
|      |                |   |
|      |                |   |
|      |                |   |

|    |                |  |
|----|----------------|--|
| A4 | 900,301,500.01 | Screw, Phil Pan (without washer) #8 - 18 x 1/2   |
| D8 | 900,201,230.11 | Carriage Bolt 1/4 - 20 x 1 1/4                   |
| B6 | 900,301,650.01 | Screw, Phil Pan (with washer) #8 - 18 x 1/2 (53) |
| B7 | 900,302,010.01 | Self-Tapping Screw 1/4 - 20 x 5/8                |
| B9 | 900,800,650.01 | Keys Nut #10 - 32 (4)                            |
| B4 | 900,201,140.01 | Screw, Machine Truss #10 - 32 x 1/2 (2)          |

# Two-Bar Linkage & Nut Retainer Housing - Coke (Landscape)

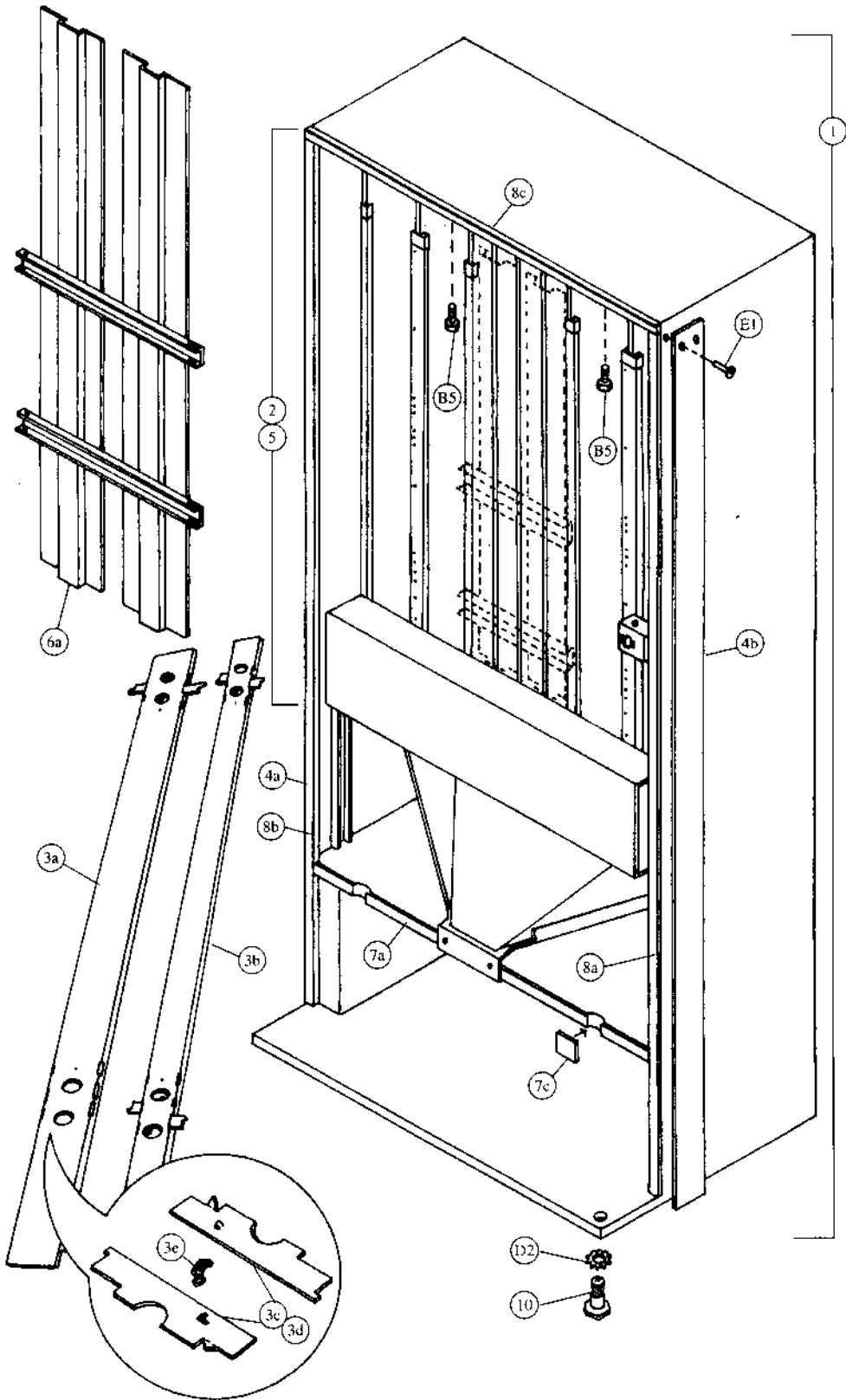


**Two-Bar Linkage & Nut Retainer Housing - Coke (Landscape)**

| Item | Part Number    | Part Name And Description                 |
|------|----------------|---|
| 1    | 491,070,500.03 | Linkage & Drive Arm Assembly              |
| 2a   | 900,901,940.01 | Groove Pin, 1 3/16" (30mm)                |
| 2b   | 801,200,950.61 | Drive Arm                                 |
| 3    | 801,201,030.01 | Linkage Arm                               |
| 4a   | 801,803,160.01 | Top Nyliner                               |
| 4b   | 801,804,770.01 | Bottom Nyliner                            |
| 5a   | 432,052,500.04 | Traditional Nut Retainer Housing Assembly |
| 5b   | 432,050,750.03 | Traditional Nut Retainer Housing          |
| 5c   | 801,303,850.11 | Traditional Cage Nut                      |
| 5d   | 900,800,570.11 | Square Nut, 1/2 - 13 N.C.                 |
| 6a   | 432,052,600.04 | Star Lock Nut Retainer Housing Assembly   |
| 6b   | 432,050,760.03 | Star Lock Nut Retainer Housing            |
| 6c   | 801,303,860.11 | Cage Nut Star Lock                        |
| 6d   | 801,505,510.01 | Latch Housing Star Lock                   |
|      |                |   |
|      |                |   |
|      |                |   |
|      |                |   |
|      |                |   |
|      |                |   |
|      |                |   |
|      |                |   |
|      |                |   |
|      |                |   |
|      |                |   |
|      |                |   |
|      |                |   |
|      |                |   |
|      |                |   |
|      |                |   |
|      |                |   |
|      |                |   |
|      |                |   |
|      |                |   |
|      |                |   |
|      |                |   |
|      |                |   |
|      |                |   |
|      |                |   |
|      |                |   |
|      |                |   |
|      |                |   |
|      |                |   |
|      |                |   |
|      |                |   |
|      |                |   |
|      |                |   |
|      |                |   |

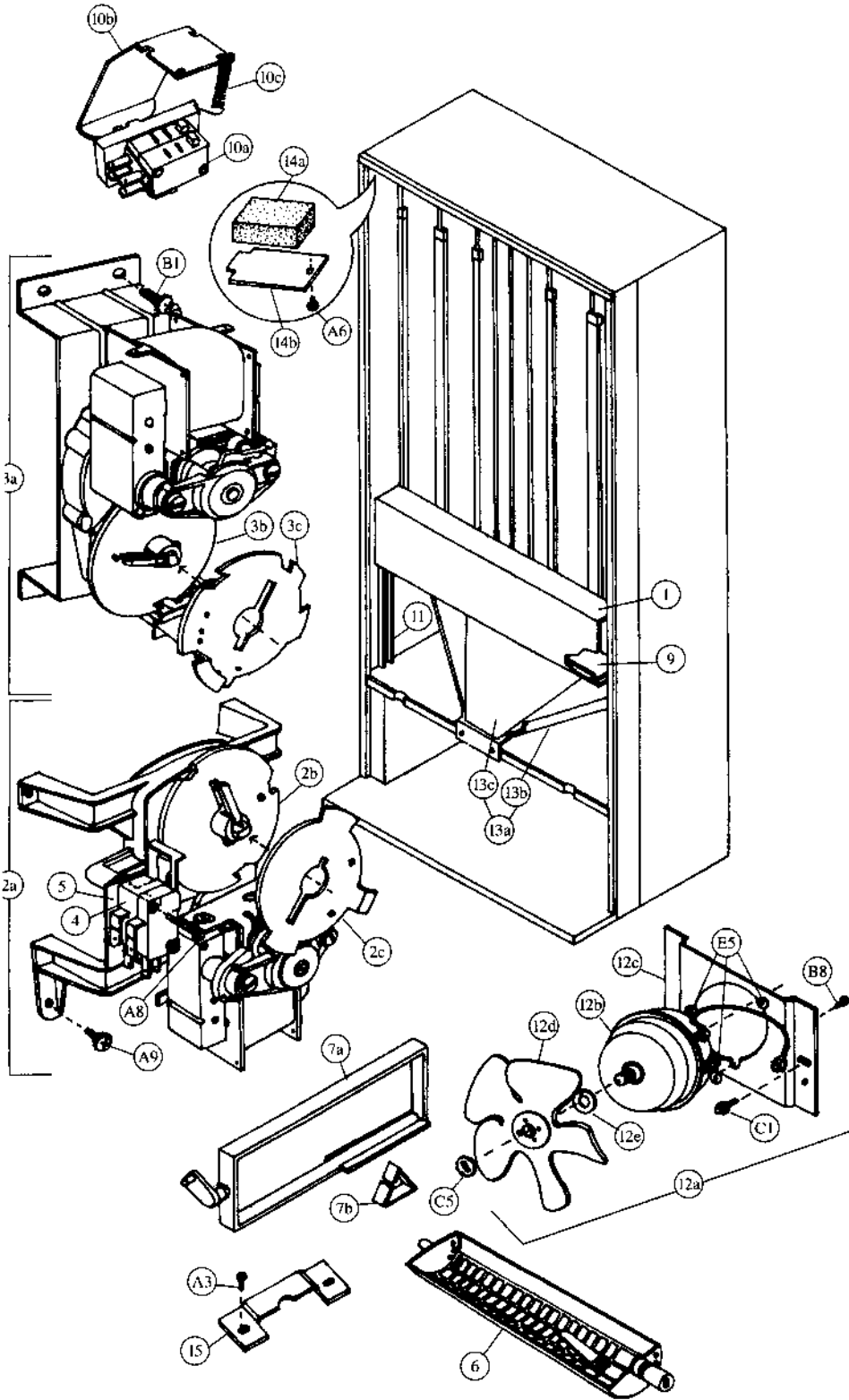
|    |                |                          |
|----|----------------|--------------------------|
| C6 | 900,700,600.01 | Flat Washer, Delrin .040 |
| A2 | 900,301,640.01 | Sems Screw #8 - 32 x 1/2 |
| B5 | 900,301,730.21 | Sems Screw 1/4 - 20 x 1  |
| A5 | 900,301,970.01 | Sems Screw #8 - 32 x 1/4 |

# Cabinet Interior - Coke (Landscape)





# Cabinet & Vend Mechanism - Coke (Landscape)

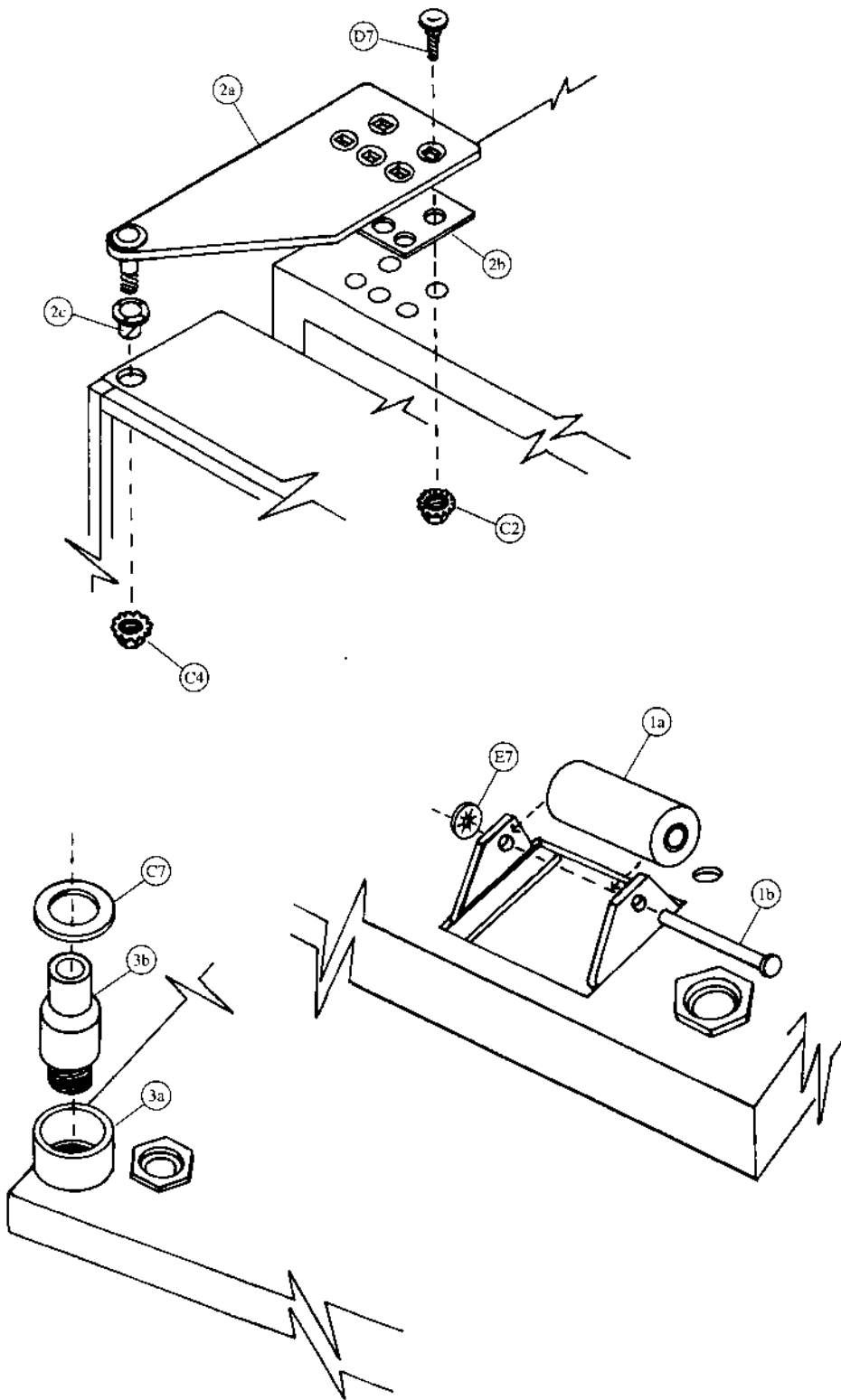


**Cabinet & Vend Mechanism - Coke (Landscape)**

| Item | Part Number    | Part Name And Description                     |
|------|----------------|---|
| 1    | 491,070,050.33 | Vend Motor Cover, Wide                        |
|      | 491,071,200.23 | Vend Motor Cover, Wide - IEC Standard         |
| 2a   | See list below | Vend Motor Assembly, Wide                     |
|      | 491,070,300.03 | Single Price                                  |
|      | 491,170,100.03 | Two/Four Price                                |
| 2b   | 801,806,390.21 | Vend Cam, Blue                                |
| 2c   | 801,806,400.11 | Adjustable Cam, Gold                          |
| 3a   | See list below | Vend Motor Assembly, Narrow                   |
|      | 491,070,400.03 | Single Price                                  |
|      | 491,170,200.03 | Two/Four Price                                |
| 3b   | 801,806,180.21 | Vend Cam, Brown                               |
| 3c   | 801,806,610.21 | Adjustable Cam, Brown                         |
| 4    | See list below | Vend Motor Switch                             |
|      | 804,100,600.01 | Single Price (Double Switch)                  |
|      | 804,100,690.01 | Single Price - IEC Standard (Double Switch)   |
|      | 804,100,700.01 | Two/Four Price - IEC Standard (Triple Switch) |
| 5    | 905,800,330.11 | Vend Motor Switch Insulator                   |
| 6    | 801,201,211.61 | Vend Rotor - Narrow Column                    |
| 7a   | 801,201,010.01 | Vend Oscillator - Wide Column                 |
| 7b   | 901,700,650.31 | Can Retainer Oscillator                       |
| 8a   | 801,803,170.21 | Nyliner, Rear (not shown)                     |
| 8b   | 901,804,230.01 | Nyliner, Front - Wide Column only (not shown) |
| 9    | 267,070,370.43 | Wire Shield                                   |
| 10a  | 804,100,610.01 | Sold Out Switch Assembly                      |
|      | 804,100,680.01 | Sold Out Switch Assembly - IEC Standard       |
| 10b  | 432,070,190.13 | Sold Out Paddle                               |
| 10c  | 901,700,740.01 | Sold Out Paddle Spring                        |
| 11   | 491,020,070.33 | Mechanism Support                             |
| 12a  | See list below | Evaporator Fan Motor Assembly                 |
|      | 491,000,200.03 | 115v  |
|      | 491,140,400.03 | 220-240v                                      |
| 12b  | See list below | Evaporator Fan Motor                          |
|      | 804,500,590.01 | 115v  |
|      | 804,500,520.01 | 220-240v                                      |
| 12c  | 164,040,080.73 | Evaporator Fan Motor Bracket                  |
| 12d  | 801,303,270.11 | Evaporator Fan Blade                          |
| 12e  | 902,100,290.01 | Silencer                                      |
| 13a  | 491,071,100.03 | Can Chute Assembly (includes 13b & 13c)       |
| 13b  | 211,170,010.43 | Can and Bottle Chute                          |
| 13c  | 211,070,020.43 | Chute Liner (Kydex)                           |
| 14a  | 903,300,770.01 | Foam Block                                    |
| 14b  | 169,000,130.03 | Hinge Pocket Cover                            |
| 15   | 176,072,110.13 | Journal                                       |
|      |                |   |
|      |                |   |
|      |                |   |

|    |                |   |
|----|----------------|---|
| C1 | 900,901,510.02 | Screw, Phil Pan Tapping                           |
| A3 | 900,301,830.01 | Sems Screw #10 - 32 x 3/8 (8)                     |
| A6 | 900,600,230.02 | Sheet Metal Screw, Type "A"                       |
| B8 | 900,301,690.01 | Hex Tap Screw #8 - 32 x 3/8 (3)                   |
| A8 | 900,301,820.01 | Vend Motor Screw #4 x 1 1/16 - Double Switch (16) |
|    | 900,301,610.01 | Vend Motor Screw #4 x 1 1/2 - Triple Switch       |
| A9 | 900,301,560.01 | Sems Screw #8 - 32 x 3/8 (28)                     |
| E5 | 900,401,090.01 | Grommet, Black Rubber #97 (3)                     |
| C5 | 900,800,850.01 | Speed Nut   |
| B1 | 900,301,850.01 | Sems Screw #8 - 32 x 3/8                          |

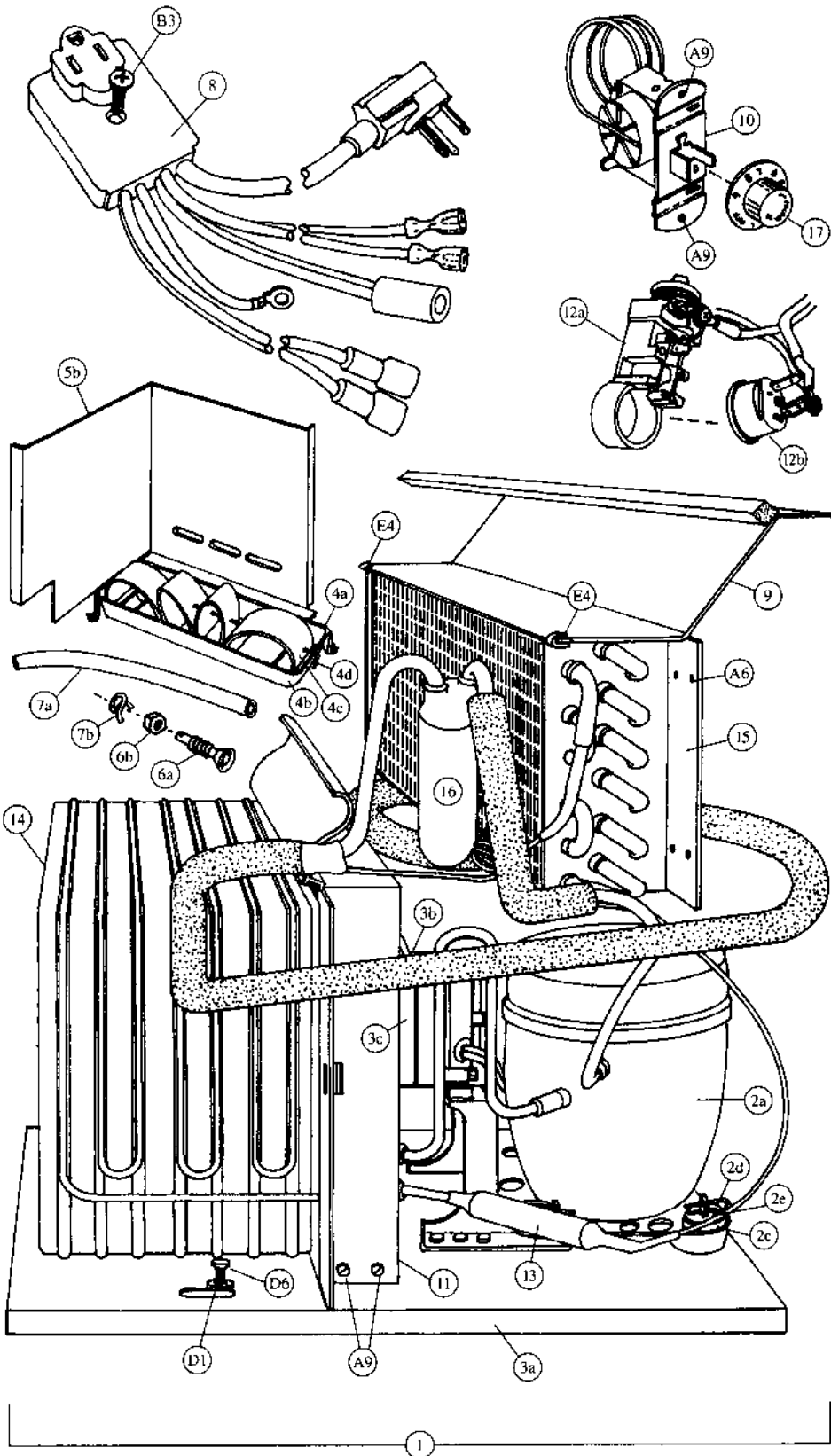
## Hinges and Rollers - Coke (Landscape)







# Refrigeration - Coke (Landscape)

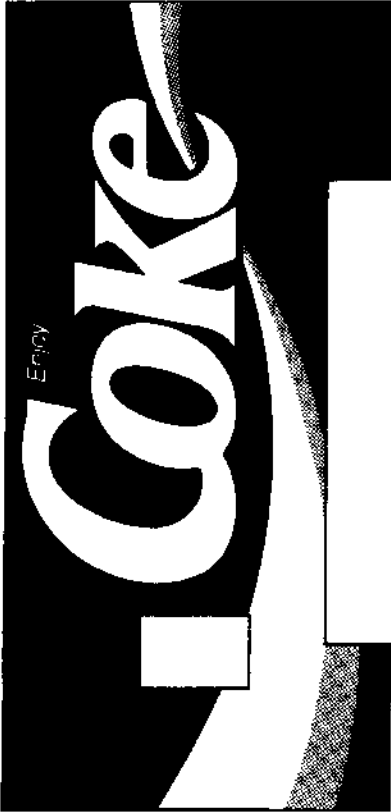


## Refrigeration System - Coke (Landscape)

| Item               | Part Number                                     | Part Name And Description  |
|--------------------|---|--|
| 1                  | Provide information listed                      | Complete Refrigeration System:<br>Indicate unit model number from serial plate on unit base plate, refrigerant, voltage/hertz and country. |
| 2a                 | Provide information listed                      | Compressor 1/2 HP:<br>Indicate compressor manufacturer, voltage/hertz, refrigerant and complete manufacturer's model number.               |
| 2b                 | See list below                                  | Compressor Lead Harness (not shown)  |
|                    | 904,900,611.01                                  | All, except IEC Standard   |
|                    | 804,905,320.01                                  | 220-240v/50hz, IEC Standard  |
| 2c                 | 902,000,570.01                                  | Compressor Mounting Grommet  |
| 2d                 | 900,901,880.01                                  | Compressor Mounting Retainer Clip  |
| 2e                 | 901,803,910.01                                  | Compressor Grommet Plug, Plastic   |
| 3a                 | 491,040,040.43                                  | Condenser Base Plate   |
| 3b                 | See list below                                  | Condenser Fan Motor Assembly   |
|                    | 491,040,200.03                                  | 115v   |
|                    | 491,140,300.03                                  | 220-240v   |
| 3c                 | See list below                                  | Condenser Fan Motor  |
|                    | 804,500,670.01                                  | 115v   |
|                    | 804,500,700.01                                  | 220-240v   |
| 3d                 | 800,103,370.02                                  | Fan Blade (not shown)  |
| 4a                 | 491,000,100.03                                  | Drain Pan Assembly   |
| 4b                 | 801,303,670.01                                  | Drain Pan  |
| 4c                 | 901,900,020.11                                  | Soaker (8 required)  |
| 4d                 | 901,400,060.11                                  | Soaker Rod   |
| 5a                 | 491,040,050.53                                  | Condenser Baffle, Right Side (not shown)   |
| 5b                 | 491,040,060.63                                  | Condenser Baffle, Rear   |
| 6a                 | 801,806,050.11                                  | Drain Tube   |
| 6b                 | 900,301,790.01                                  | Drain Tube Nut   |
| 7a                 | 901,900,500.01                                  | Drain Hose   |
| 7b                 | 900,901,030.01                                  | Drain Hose Clamp   |
| 8                  | See listing below                               | Main Wiring Harness  |
|                    | 804,902,220.01 (a)                              | United States  |
|                    | 804,905,480.01 (b)                              | Australia, IEC 335 (not shown)   |
|                    | 804,905,490.01 (c)                              | United Kingdom, IEC 335 (not shown)  |
|                    | 804,902,160.21 (d)                              | Europe (not shown)   |
|                    | 804,903,160.01 (e)                              | Mexico (not shown)   |
|                    | 804,905,450.01 (f)                              | Italy (not shown)  |
|                    | 804,905,470.01 (g)                              | Danish, IEC 335 (not shown)  |
| 804,905,360.01 (h) | Germany, with Splashwater Protector (not shown) |  |
| 9                  | 211,040,030.13                                  | Top Fan Housing  |
| 10                 | 802,800,410.01                                  | Temperature Control  |
| 11                 | 491,040,110.33                                  | Fan Shroud Condenser   |
| 12a                | Provide information listed                      | Relay:<br>Indicate compressor manufacturer, model # and voltage/hz   |
| 12b                | Provide information listed                      | Overload:<br>Indicate compressor manufacturer, model # and voltage/hz  |
| 13                 | 802,401,240.01                                  | Dryer  |
| 14                 | 802,600,550.01                                  | Condenser  |
| 15                 | 802,600,370.51                                  | Evaporator   |
| 16                 | 802,400,460.01                                  | Accumulator  |
| 17                 | 802,800,420.01                                  | Knob, Temperature Control  |
| A6                 | 900,600,230.02                                  | Sheet Metal Screw, Type "A" (not shown) (2)  |
| A9                 | 900,301,560.01                                  | Sems Screw #8 - 32 x 3/8 (8)   |
| B3                 | 900,301,810.01                                  | Screw, #10 - 32 x 1 1/2  |
| D1                 | 900,700,360.01                                  | Lockwasher, 3/8" (2)   |
| E4                 | 900,901,890.01                                  | Tinnerman Clip (2)   |
| D6                 | 900,400,440.01                                  | Refrigeration Bolt 3/8 - 16 x 1 (2)  |

When Ordering Parts, Indicate Model # And Serial # Of Vender.  
All Parts Numbers And Prices Are Subject To Change Without Notice.

Signs and Decals - Coke (Landscape)



1



4



2

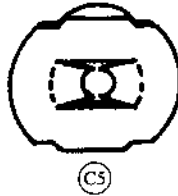
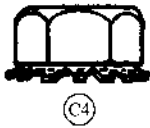
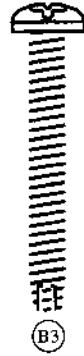


5

**Signs & Decals- Coke (Landscape)**

| Item           | Part Number                  | Part Name And Description              |
|----------------|------------------------------|--|
| 1              | See list below               | Circular Coke Signs                    |
|                | 805,006,460.31               | Coca-Cola (USA) (shown)                |
|                | 805,006,650.01               | Coca-Cola Beba                         |
|                | 805,006,710.01               | Coca-Cola CSA French                   |
|                | 805,006,720.01               | Coca-Cola International                |
|                | 805,006,770.01               | Coca-Cola Italy                        |
|                | 805,006,910.01               | Coca-Cola CSA English                  |
|                | 805,006,940.01               | Coca-Cola Trink International          |
|                | 805,006,950.01               | Coca-Cola Buvez International          |
|                | 805,007,140.01               | Coca-Cola Horizontal                   |
|                | 805,007,360.01               | Coca-Cola Puerto Rico                  |
|                | 805,007,680.01               | Coca-Cola Arabic                       |
|                | 805,007,840.01               | Coca-Cola Tome Circle                  |
|                | 805,007,960.01               | Coca-Cola Light France                 |
|                | 805,008,290.01               | Coca-Cola Australia                    |
|                | 805,008,730.01               | Coca-Cola Coke Can On Ice              |
|                | 805,009,950.01               | Coca-Cola Greece                       |
|                | 805,010,140.01               | Coca-Cola Coke Beba Can On Ice         |
|                | 805,010,250.01               | Coca-Cola Turkey                       |
|                | 805,008,440.01               | Coca-Cola Light Sweden                 |
|                | 805,009,940.01               | Coca-Cola Light Greece                 |
|                | 805,010,000.01               | Coca-Cola Light Beba                   |
|                | 805,010,060.01               | Coca-Cola Light Standard International |
| 805,010,310.01 | Coca-Cola Bevette Coke Light |  |
| 2              | See list below               | Coca-Cola Diet Coke Signs              |
|                | 805,006,580.01               | Diet Coke (USA) (shown)                |
|                | 805,010,280.01               | Diet Coke Turkey                       |
| 3              | 805,008,000.01               | Minute Maid Sign                       |
| 4              | See list below               | Coke Side Decals                       |
|                | 803,822,210.11               | Coca-Cola (USA) (shown)                |
|                | 803,823,290.01               | Coca-Cola Beba                         |
|                | 803,823,300.01               | Coca-Cola International                |
|                | 803,823,380.01               | Coca-Cola Italian                      |
|                | 803,823,710.01               | Coca-Cola CSA English                  |
|                | 803,823,770.01               | Coca-Cola Buvez France                 |
|                | 803,825,370.01               | Coca-Cola Dis Frute                    |
|                | 803,825,870.01               | Coca-Cola Arab Bahrain                 |
|                | 803,826,150.01               | Coca-Cola Tome Argentina               |
|                | 803,831,000.01               | Coca-Cola Greece                       |
|                | 803,833,030.01               | Coca-Cola Turkey                       |
|                | 803,827,610.01               | Coca-Cola Light Bromma                 |
|                | 803,830,990.01               | Coca-Cola Light Greece                 |
|                | 803,826,310.01               | Coca-Cola Light France                 |
|                | 803,831,090.01               | Coca-Cola Light Beba                   |
|                | 803,831,470.01               | Coca-Cola Light Standard International |
| 803,833,180.01 | Coca-Cola Light Bevette      |  |
| 5              | See list below               | Diet Coke Side Decals                  |
|                | 803,822,970.01               | Diet Coke (USA) (shown)                |
|                | 803,833,060.01               | Diet Coke Turkey                       |
| 6              | 803,826,380.01               | Minute Maid Side Decal                 |
|                |                              |  |
|                |                              |  |
|                |                              |  |
|                |                              |  |
|                |                              |  |
|                |                              |  |

# Screws & Nuts - Coke (Landscape)



**Screws & Nuts - Coke (Landscape)**

| Item | Part Number    | Part Name And Description                                |
|------|----------------|--|
| A1   | 900,301,700.01 | Sems Screw #6 - 32 x $\frac{3}{8}$                       |
| A2   | 900,301,640.01 | Sems Screw #8 - 32 x $\frac{1}{2}$                       |
| A3   | 900,301,830.01 | Sems Screw #10 - 32 x $\frac{5}{16}$                     |
| A4   | 900,301,500.01 | Screw, Phil Pan (without washer) #8 - 18 x $\frac{1}{2}$ |
| A5   | 900,301,970.01 | Screw, Phillips Pan Head #8 - 32 x $\frac{1}{4}$         |
| A6   | 900,600,230.02 | Sheet Metal Screw, Type "A"                              |
| A7   | 900,300,470.01 | Sheet Metal Screw #4 x $\frac{3}{4}$                     |
| A8   | 900,301,820.01 | Vend Motor Screw #4 x $1\frac{1}{16}$                    |
|      | 900,301,610.01 | Vend Motor Screw #4 x $1\frac{1}{2}$                     |
| A9   | 900,301,560.01 | Sems Screw #8 - 32 x $\frac{3}{8}$                       |
|      |                |  |
| B1   | 900,301,850.01 | Sems Screw #8 - 32 x $\frac{5}{8}$                       |
| B2   | 900,300,160.01 | Sems Screw #6 x $\frac{3}{8}$                            |
| B3   | 900,301,810.01 | Screw #10 - 32 x $1\frac{1}{2}$                          |
| B4   | 900,201,140.01 | Screw, Machine Truss #10 - 32 x $\frac{1}{2}$            |
| B5   | 900,301,730.21 | Self-Tapping Screw $\frac{1}{4}$ - 20 x 1                |
| B6   | 900,301,650.01 | Screw, Phil Pan (with washer) #8 - 18 x $\frac{1}{2}$    |
| B7   | 900,302,010.01 | Self-Tapping Screw $\frac{1}{4}$ - 20 x $\frac{5}{8}$    |
| B8   | 900,301,690.01 | Screw, Hex Tap #8 - 32 x $\frac{3}{8}$                   |
| C1   | 900,901,510.02 | Screw, Phil Pan Tapping                                  |
|      |                |  |
| B9   | 900,800,650.01 | Keps Nut #10 - 32  |
| C2   | 900,800,670.01 | Keps Nut $\frac{1}{4}$ - 20                              |
| C3   | 900,800,500.01 | Keps Nut #8 - 32   |
| C4   | 900,800,690.01 | Keps Nut (Top Door Hinge) $\frac{3}{8}$ - 16             |
| C5   | 900,800,850.01 | Speed Nut  |
| CC   | 900,201,220.11 | Machine Screw #8 - 32 x $\frac{3}{4}$                    |
| DD   | 900,800,490.01 | Keps Nut #6 - 32   |
|      |                |  |
|      |                |  |
|      |                |  |
|      |                |  |
|      |                |  |
|      |                |  |
|      |                |  |
|      |                |  |
|      |                |  |
|      |                |  |
|      |                |  |
|      |                |  |

# Washers, Bolts & Misc. - Coke (Landscape)

